



Features :

- 4 Digits, 7 Segment LED Single Display
- TC / RTD Inputs
- ON - OFF / PID Control
- Dual Set Point
- °C / °F Selectable
- Control Output : Relay or SSR (Field selectable)
- Auxiliary Output : Relay

Display Specifications

Display	4 Digits, 7 Segment LED Single Display DTC204A - 2 : Height of Display : 0.5385" DTC324A - 2 : Height of Display : 0.5510"
LED Indications	1. Output 1 ON T : Auto tune 2. Output 2 ON

Input Specifications

Inputs	Thermocouple (J, K, T, R, S) / RTD (PT100)
Resolution	0.1 / 1 for TC / RTD inputs (fixed 1 for R & S type TC input)
Indication Accuracy	For J, K & T inputs : 0.25% of F.S. ±1° For R & S inputs : 0.5% of F.S. ±2° (20 min of warm up time for TC inputs) For RTD input : 0.1% of F.S. ±1° (F.S. = Full Scale)
Temperature Unit	°C / °F selectable
Input Filter (FTC)	0.2 to 10.0 sec
Sampling time	250 ms

Output Specifications

Control Output (Relay or SSR user selectable)	
Relay contact (SPDT)	10A resistive @ 250V AC / 30V DC
SSR drive (Voltage Pulse)	12V DC, 50 mA
Auxiliary Output	
Relay Contact (SPDT)	5A resistive @ 250V AC / 30V DC

Functional Specifications

Control Action	1) PID Control with autotuning 2) ON - OFF control
Proportional Band (P)	1 to 400°
Integral Time (I)	0 to 9999 sec
Derivative Time (D)	0 to 9999 sec
Cycle Time	0.1 to 99.9 sec
Hysteresis Width	0.1 to 99.9°
Manual Reset Value	-19.9 to 19.9°

Functional Specifications

Heat-cool	
Control Action	PID
Proportional Band-Cool	0.0 to 400.0°
Cycle Time - Cool	0.1 to 99.9 sec
Dead Band	Programmable from set point low limit to set point high limit
Settings for Alarm Output	
Modes	Deviation, Absolute
Hysteresis	0.1 to 99.9°

Auxiliary Supply Specifications

Supply Voltage	90 to 270V AC / DC (50 / 60Hz)
Power Consumption	6 VA max @ 230V AC

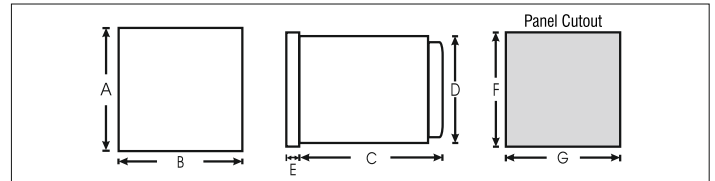
Environmental Specifications

Temperature	Operating : 0 to 50°C (32 to 122°F) Storage : -20 to 75°C (-4 to 167°F)
Humidity (non-condensing)	95% RH

Mechanical Specifications

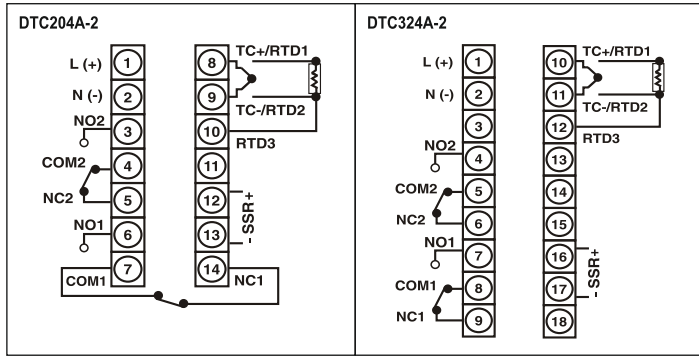
Mounting	Panel
Weight	DTC204A - 2 : 200 gms DTC324A - 2 : 252 gms

Dimensions



MODELS	DIM	A	B	C	D	E	F	G
DTC204A-2		72	72	83.7	67	4.5	69	69
DTC324A-2		96	96	73	90.5	5	92	92

Terminal Connections



Ordering Information

PRODUCT CODE	OUTPUT 1		OUTPUT 2	SUPPLY VOLTAGE
DTC204A-2	RELAY	SSR	RELAY	90-270V AC / DC
DTC324A-2	RELAY	SSR	RELAY	90-270V AC / DC

Accessories (Optional)

Standard SELEC accessories that can be used with this product.

Adapter plate
1) AP9672 : Plastic adapter plate, used to mount 72 x 72mm size instrument into existing (96 x 96) cutout size.

Mounting Accessories (Supplied with units)

Clamp side with screw assembled

Input Sensor Ranges (For TC / RTD Inputs)

Sensor type	Resolution	Ranges	
		1	0.1
PT100	°C	-150 to 850	-150 to 850
	°F	-238 to 1562	-199 to 999
J	°C	-199 to 750	-199 to 750
	°F	-328 to 1382	-199 to 999
K	°C	-199 to 1350	-199 to 999
	°F	-328 to 2462	-199 to 999
T	°C	-199 to 400	-199 to 400
	°F	-328 to 750	-199 to 750
R & S	°C	0 to 1750	N/A
	°F	32 to 3182	N/A