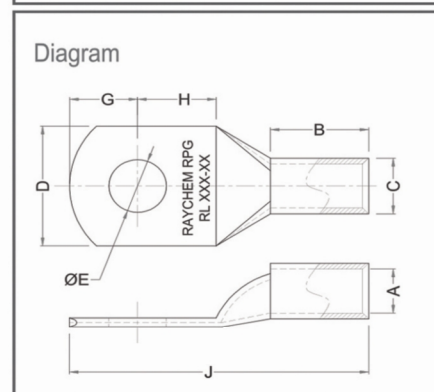


Cable Lug Product Specification

Standard Cable Lug

Cable mm ²	Stud Size	Dimensions in mm								Product code
		Stud Hole Size	Barrel ID	Barrel OD	Palm Width	Stud Center Distance	Stud Center	Barrel Length	Total Length	
		E	A	C	D	G	H	B	J	
1.5	M4	4.2	1.8	3.7	8	4	5	6	17	RL - 1.5 - 4
1.5	M5	5.2	1.8	3.7	8	4	5	6	17	RL - 1.5 - 5
1.5	M6	6.5	1.8	3.7	10	4	6	6	18	RL - 1.5 - 6
2.5	M4	4.2	2.4	4	8	4	5	8	19	RL - 2.5 - 4
2.5	M5	5.2	2.4	4	8	4	5	8	19	RL - 2.5 - 5
2.5	M6	6.5	2.4	4	10	5	6	8	21	RL - 2.5 - 6
2.5	M8	8.4	2.4	4	12	6	9	8	26	RL - 2.5 - 8
4	M4	4.2	3.1	4.8	10	5	6	8	21	RL - 4 - 4
4	M5	5.2	3.1	4.8	10	5	6	8	21	RL - 4 - 5
4	M6	6.5	3.1	4.8	10	5	6	8	21	RL - 4 - 6
4	M8	8.4	3.1	4.8	12	6	9	8	24	RL - 4 - 8
6	M5	5.2	3.8	5.5	10	5	6	10	23	RL - 6 - 5
6	M6	6.5	3.8	5.5	10	5	6	10	24	RL - 6 - 6
6	M8	8.4	3.8	5.5	12	6	9	10	27	RL - 6 - 8
6	M10	10.5	3.8	5.5	15	8	11	10	32	RL - 6 - 10
10	M6	6.5	4.5	6.2	11	6	7	10	26.5	RL - 10 - 6
10	M8	8.4	4.5	6.2	12	6	9	10	27.5	RL - 10 - 8
10	M10	10.5	4.5	6.8	15	8	11	11	32	RL - 10 - 10
16	M5	5.2	5.4	7.1	12	7	7	12	30	RL - 16 - 6
16	M6	6.5	5.4	7.1	12	7	7	12	30	RL - 16 - 6
16	M8	8.4	5.4	7.1	12	7	7	12	30	RL - 16 - 8
16	M10	10.5	5.4	7.6	15	8	12	12	36	RL - 16 - 10
16	M12	13	5.4	7.6	17	11	13	12	39	RL - 16 - 12
25	M6	6.5	6.8	8.8	13	7	7	12	30	RL - 25 - 6
25	M8	8.4	6.8	8.8	13	7	7	12	30	RL - 25 - 8
25	M10	10.5	6.8	8.8	15	10	11	13	36.5	RL - 25 - 10
25	M12	13	6.8	8.8	17	10	12	15	40	RL - 25 - 12
35	M6	6.5	8.2	10.6	16	9	9	13.5	36	RL - 35 - 6
35	M8	8.4	8.2	10.6	16	9	9	13.5	36	RL - 35 - 8
35	M10	10.5	8.2	10.6	16	9	9	13.5	37	RL - 35 - 10
35	M12	13	8.2	10.6	18	10	12	13.5	41	RL - 35 - 12
35	M16	17	8.2	10.6	22	14	18	13.5	50	RL - 35 - 16
50	M8	8.4	9.5	12.4	18	9	10	17	42	RL - 50 - 8
50	M10	10.5	9.5	12.4	18	9	10	17	42	RL - 50 - 10
50	M12	13	9.5	12.4	20	10	12	17	45	RL - 50 - 12
50	M16	17	9.5	12.4	22	15	15	18	52	RL - 50 - 16
70	M8	8.4	11.3	14.6	21	11	11	18.5	47	RL - 70 - 8
70	M10	10.5	11.3	14.6	21	11	11	18.5	47	RL - 70 - 10
70	M12	13	11.3	14.6	21	11	11	18.5	47	RL - 70 - 12
70	M14	14.5	11.3	14.6	22	14	15	18.5	55	RL - 70 - 14
70	M16	17	11.3	14.6	26	14	16	18.5	56	RL - 70 - 16



FEATURES

- With inspection hole to ensure full cable insertion
- Tin plated copper lugs to improve electrical conductivity and avoid oxidation of copper
- Annealed material optimizes material and crimping properties
- Flat contact surface and precise stud holes as per the Metric standard
- Chamfered mouth for easy cable insertion
- Can be available with /without inspection window

Standard Cable Lug Continued.....

Cable mm ²	Stud Size	Dimensions in mm								Product code
		Stud Hole Size	Barrel ID	Barrel OD	Palm Width	Stud Center Distance	Stud Center	Barrel Length	Total Length	
		E	A	C	D	G	H	B	J	
95	M8	8.4	13.5	17.4	25	12	13	21	53	RL - 95 - 8
95	M10	10.5	13.5	17.4	25	12	13	21	53	RL - 95 - 10
95	M12	13	13.5	17.4	25	12	13	21	53	RL - 95 - 12
95	M13	14.5	13.5	17.4	25	14	15	22	55	RL - 95 - 14
95	M16	17	13.5	17.4	25	14	16	22	56	RL - 95 - 16
120	M10	10.5	15	19.4	28	13	14	23	60	RL - 120 - 10
120	M12	13	15	19.4	28	13	14	23	60	RL - 120 - 12
120	M13	14.5	15	19.4	28	13	14	23	60	RL - 120 - 14
120	M16	17	15	19.4	28	16	16	23	64	RL - 120 - 16
150	M10	10.5	16.5	21.2	30	16	16	27	70	RL - 150 - 10
150	M12	13	16.5	21.2	30	16	16	27	70	RL - 150 - 12
150	M13	14.5	16.5	21.2	30	16	16	27	70	RL - 150 - 14
150	M16	17	16.5	21.2	30	16	16	27	70	RL - 150 - 16
150	M20	21	16.5	21.2	30	19	16	27	73	RL - 150 - 20
185	M10	10.5	18.5	23.5	34	17	19	32	80	RL - 185 - 10
185	M12	13	18.5	23.5	34	17	19	32	80	RL - 185 - 12
185	M13	14.5	18.5	23.5	34	17	19	32	80	RL - 185 - 14
185	M16	17	18.5	23.5	34	17	19	32	80	RL - 185 - 16
185	M20	21	18.5	23.5	34	17	19	32	80	RL - 185 - 20
240	M10	10.5	21	26.5	38	20	20	37	94	RL - 240 - 10
240	M12	13	21	26.5	38	20	20	37	94	RL - 240 - 12
240	M13	14.5	21	26.5	38	20	20	37	94	RL - 240 - 14
240	M16	17	21	26.5	38	20	20	37	94	RL - 240 - 16
240	M20	21	21	26.5	38	20	20	37	94	RL - 240 - 20
300	M10	10.5	23.5	30	43	22	22	42	101	RL - 300 - 10
300	M12	13	23.5	30	43	22	22	42	101	RL - 300 - 12
300	M13	14.5	23.5	30	43	22	22	42	101	RL - 300 - 14
300	M16	17	23.5	30	43	22	22	42	101	RL - 300 - 16
300	M20	21	23.5	30	43	22	22	42	101	RL - 300 - 20
400	M10	10.5	28.5	36.5	52.5	26	26	44	114	RL - 400 - 10
400	M12	13	28.5	36.5	52.5	26	26	44	114	RL - 400 - 12
400	M13	14.5	28.5	36.5	52.5	26	26	44	114	RL - 400 - 14
400	M16	17	28.5	36.5	52.5	26	26	44	114	RL - 400 - 16
400	M20	21	28.5	36.5	52.5	26	26	44	114	RL - 400 - 20
500	M16	17	30	39	56	28	28	48	129	RL - 500 - 16
500	M20	21	30	39	56	28	28	48	129	RL - 500 - 20
500	NA*	30	39	56				48	129	RL - 500 - BL
630	M16	17	35	45	63.8	33	33	58	148	RL - 630 - 16
630	M20	21	35	45	63.8	33	33	58	148	RL - 630 - 20
630	NA*		35	45	63.8			58	148	RL - 630 - BL
800	NA*		39	50.6	72			78	170	RL - 800 - BL
1000	NA*		43	56.2	78.5			90	200	RL - 1000 - BL

