



DIN 35mm

Features :

- Specially Designed Sensors
- Trip Relay Indication
- Used for Drain and Fill Control
- 1 C/O Output
- Adjustable Sensitivity 1k to 200k Ohms
- DIN Rail Mount

Certification :

Display Specifications

Type	Analog
No. of LED	2
No. of Knob	1
LED Indication	Power ON, Relay ON

LED Indication Chart

Condition	'ON' LED	'R' LED
Nominal Condition	ON	ON
Fault Condition	ON	OFF

Input Specifications

Functions	
Function	Level Monitoring of Conductive Liquid One Level or Two level monitoring One tank or Two Tank Level monitoring Using Suction Logic & Delivery Logic
Reset	Automatic
Input Sensor	3 no. Stainless steel prods
Electrical Connection	1Ø - 2 wire
Trip Settings	According to the levels of sensor placed in the water tank
Trip Time Settings	0.5sec (approx.)

Output Specifications

Relay Contact	SPDT (1 C/O)
Relay Rating	10A@250VAC / 28VDC

Auxiliary Supply Specifications

Supply Voltage	85 to 270V AC / DC
Frequency	50 / 60Hz
Power Consumption	3VA max

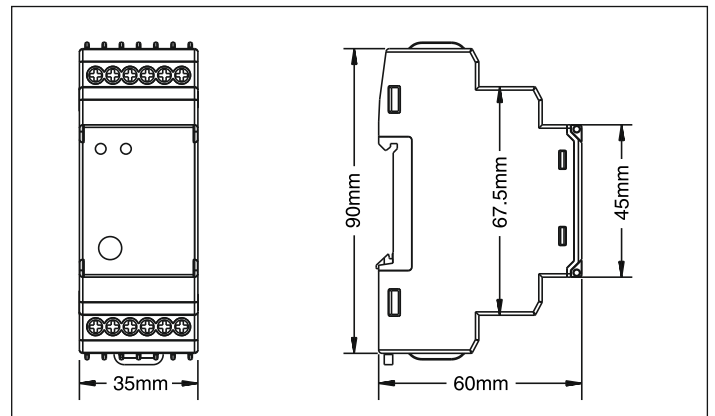
Environmental Specifications

Temperature	Operating Temperature : 0° to 50°C Storage Temperature : -20° to 70°C
Humidity (non - condensing)	Upto 95% RH
Pollution Degree	
For PCB	2
For Product	3
Degree of Protection Devices	IP20

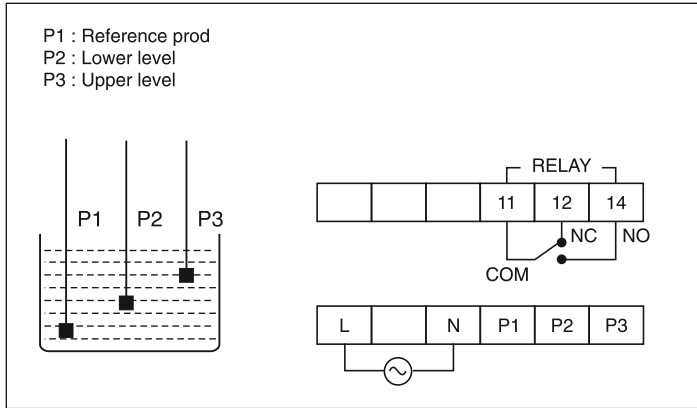
Mechanical Specifications

Mounting	DIN Rail
Weight	Sensors : 50gms each Unit : 105gms
Screw Tightening Torque	0.5 NM

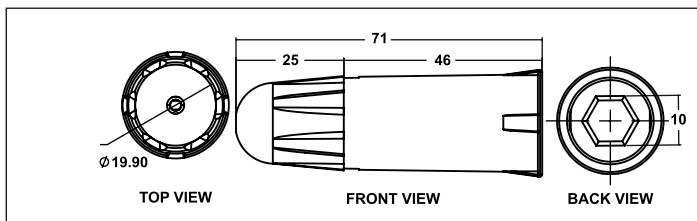
Dimensions



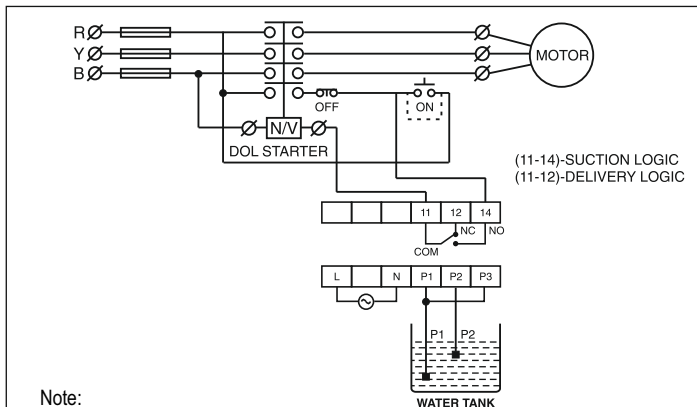
Terminal connection



Input Sensor Dimensions



One Level Controller

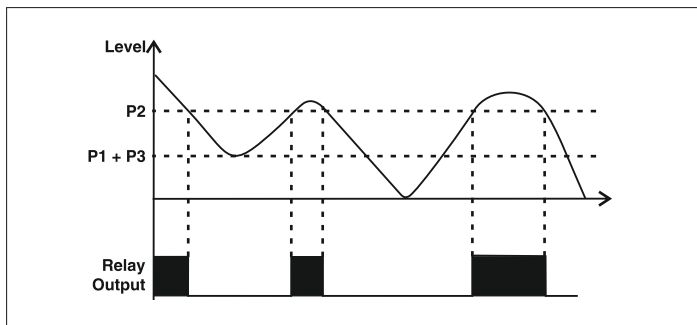


- Note:
1. Relay contacts shown in healthy condition
 2. The connection shown in fig 1 for suction logic.
 3. Provide an external link across ON push button as shown by dotted line

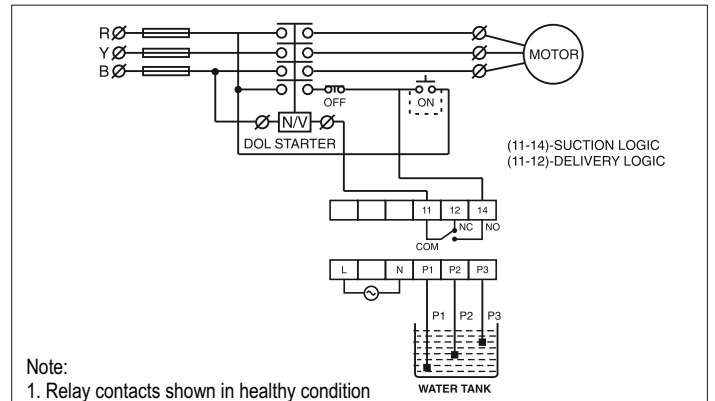
TESTING CHART

Sr No.	P1+P3	P2	Relay Output
1	OUT	OUT	OFF
2	IN	OUT	OFF
3	IN	IN	ON
4	IN	OUT	OFF
5	OUT	OUT	OFF

Timing Diagram



Two Level Controller

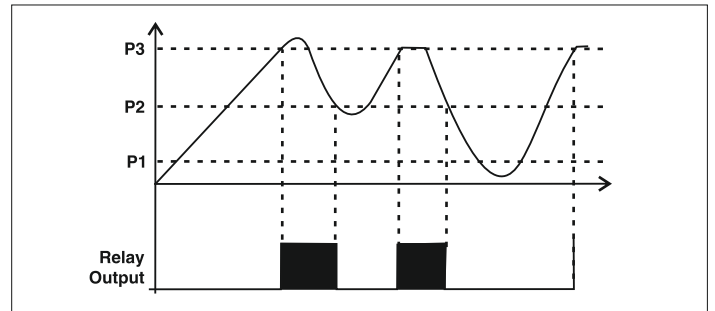


- Note:
1. Relay contacts shown in healthy condition
 2. The connection shown in fig 1 for suction logic.
 3. Provide an external link across ON push button as shown by dotted line

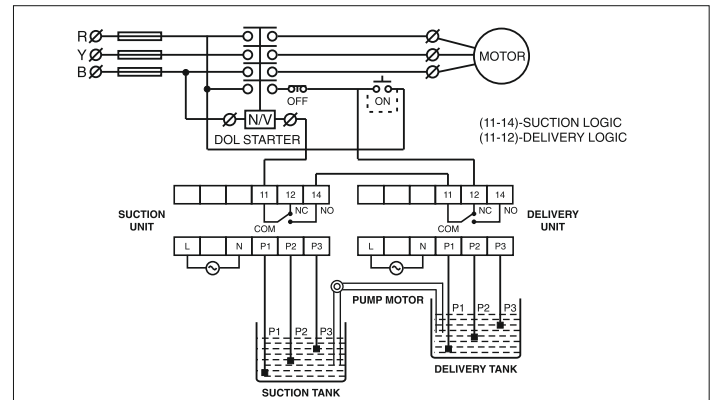
TESTING CHART

Sr No.	P1	P2	P3	Relay Output
1	OUT	OUT	OUT	OFF
2	IN	OUT	OUT	OFF
3	IN	IN	OUT	OFF
4	IN	IN	IN	ON
5	IN	IN	OUT	ON
6	IN	OUT	OUT	OFF

Timing Diagram



Two Level Controller for Both Tank



- NOTE:
1. Relay contacts shown in healthy condition.
 2. Provide an external link across ON push button as shown by dotted line.

TESTING CHART

Sr. No.	SENSOR PROD IN SUCTION TANK (T1)			SENSOR PROD IN DELIVERY TANK (T2)			RELAY OUTPUT STATUS WLCA2M1
	P1	P2	P3	P1	P2	P3	
1	IN	IN	IN	IN	IN	IN	OFF
2	IN	IN	IN	IN	IN	OUT	OFF
3	IN	IN	IN	IN	OUT	OUT	ON
4	IN	IN	OUT	IN	IN	IN	OFF
5	IN	IN	OUT	IN	IN	OUT	OFF
6	IN	IN	OUT	IN	OUT	OUT	ON
7	IN	OUT	OUT	IN	IN	IN	OFF
8	IN	OUT	OUT	IN	IN	OUT	OFF
9	IN	OUT	OUT	IN	OUT	OUT	OFF

NOTE : IN : SENSOR PROD INSIDE THE WATER
 OUT : SENSOR PROD OUTSIDE THE WATER

Compliance

Applicable EMI / EMC Standards		
Product Standard : IEC 60947-2		
Category	Reference Standards	Testing Level
Radio Frequency Interference Radiation Disturbance Test	IEC 61000-4-20	Class-A
Electrostatic Discharge Immunity Test	IEC 61000-4-2	Class-A
Radio Frequency Interference Conducted Disturbance Test	CISPR 11	Class-A
Immunity To Conducted Disturbances, Introduced By Radio Frequency Fields Test	IEC 61000-4-6	Class-A
Electrical Test Transient / Burst Immunity	IEC 61000-4-4	Class-A
Radiated, Radio-Frequency, Electromagnetic Field Immunity test	IEC 61000-4-8	Class-A
Surge Immunity Test	IEC 61000-4-3	Class-A
Voltage Dips, Short Interruption And Voltage Variations Immunity Test	IEC 61000-4-5	Class-C
AC Voltage Test	IEC 61000-4-11	Clause 6.7
Temperature Rise Test	IEC 61010-1	Clause 10.1-10.4
Resistance To Heat Test (RTH)	IEC 61010-1	Clause 10.5
Single Fault Test (SFT)	IEC 61010-1	Clause 4.4

Ordering Information

Product Code	Supply Voltage	Certification
WLCA2M1-CE-RoHS	85 to 270V AC / DC	CE